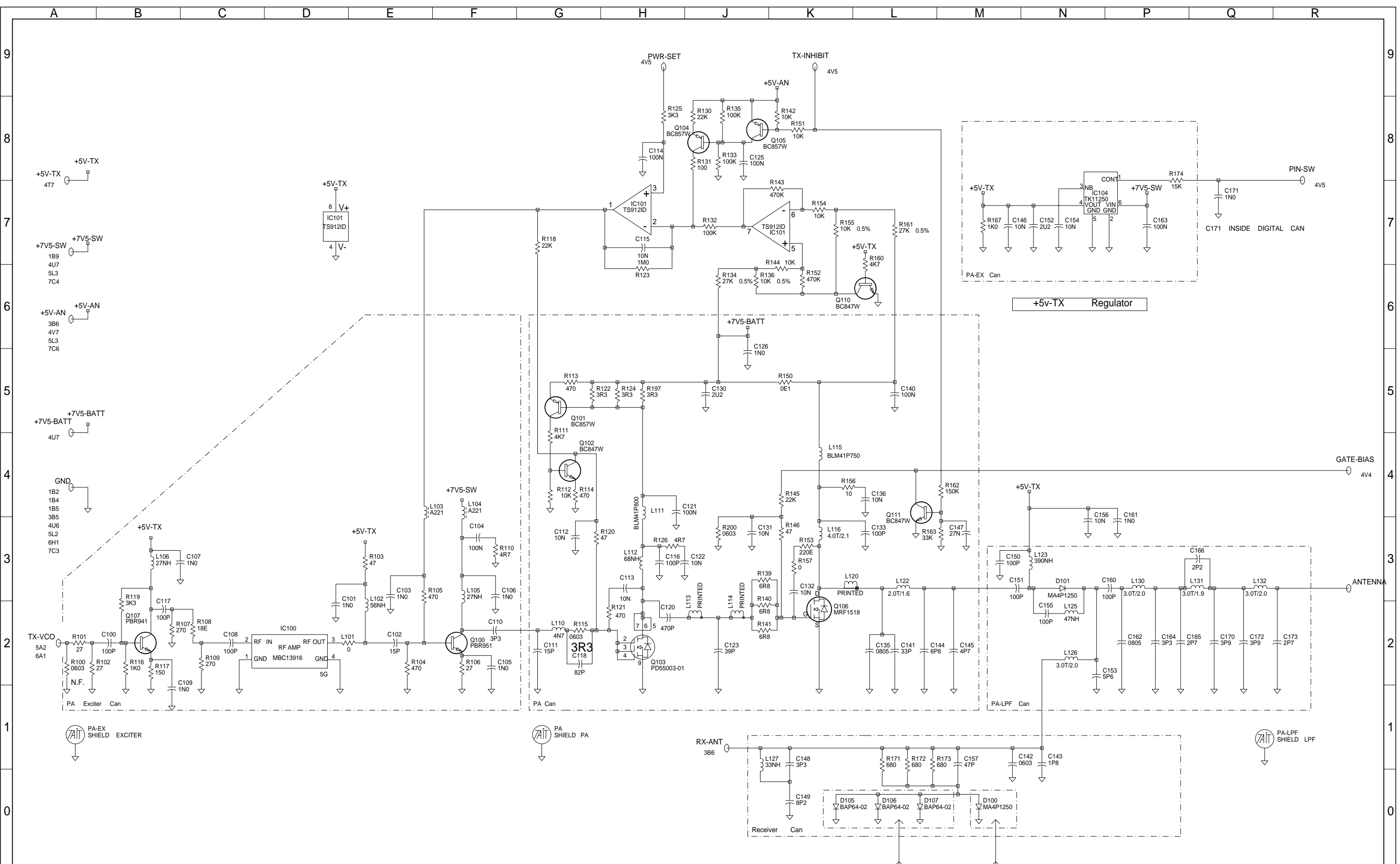


06A	DCO NO. 1624-008	BRD			07-05-02	
05A	CCO NO. 1624-007	BRD			29-03-01	
04A	CCO NO. 1624-006	BRD			20-03-01	
03B	CCO NO. 1624-005	CJK			08-06-00	
03A	ECO NO 50 0788	CJK	JJ		29-05-00	
02A	CCO NO.1624-004 AMP CHANGES	TS			16-12-99	
01A	INITIAL DES CCO 1624/001 002 003	BRD	JJ	CK	GR	25/11/99
REV/ISS	AMENDMENTS	DRAWN	CHKD	D.O.	APVD	DATE



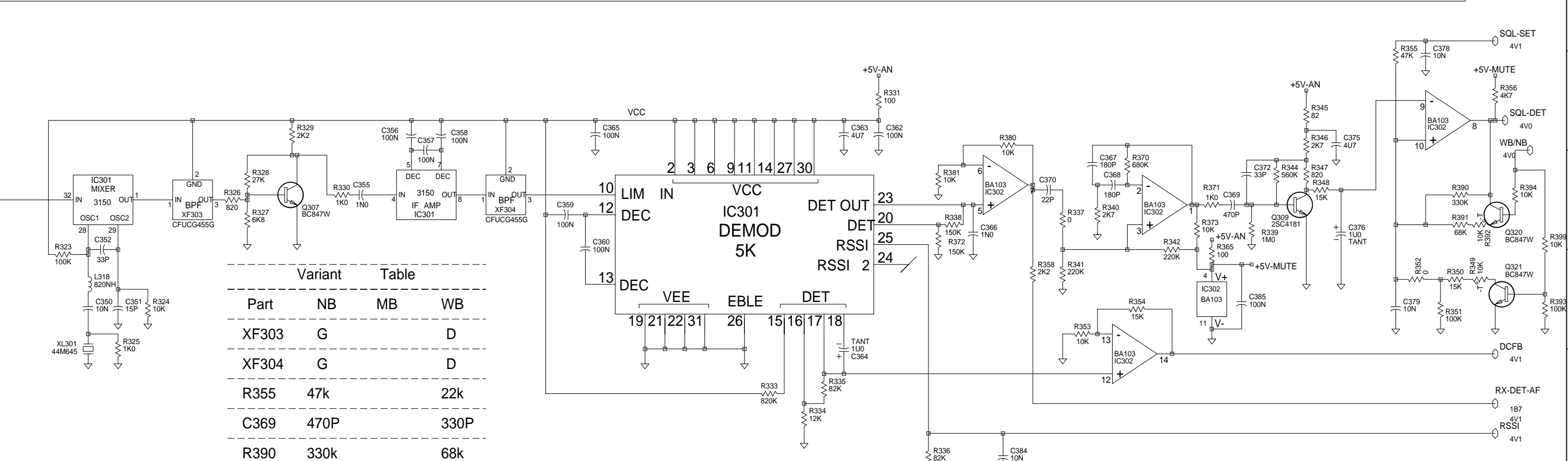
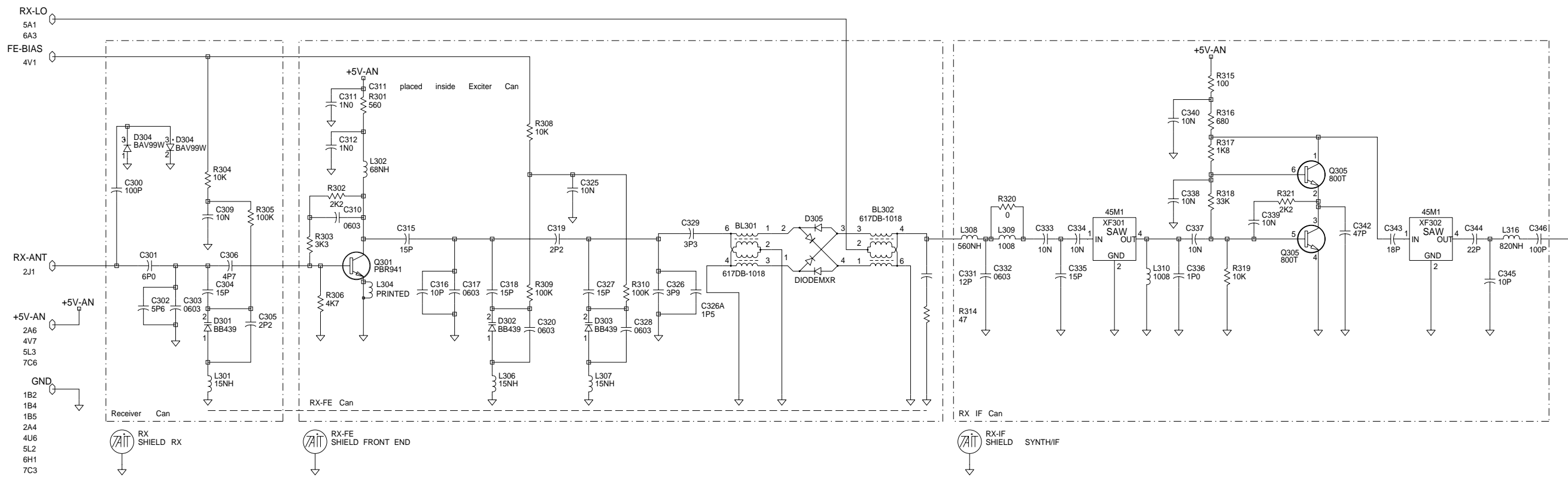
© TAIT ELECTRONICS			
TAIT ORCA : 450-530 MHZ SYSTEM DIAGRAM			
PROJECT:	DESIGNER:	FILE NAME:	NO.SHEETS:
ORCA	BRD	1624006a	7
ISSUE:	FILE DATE:	ID:	
A	7-May-02	2.SC. 1	



DUAL PLACEMENT Place Either Or
Place D105, D106, D107 or Only D100

© TAIT ELECTRONICS	
TAIT ORCA : 450-530 MHZ POWER AMPLIFIER	
IPN: 220-01624-06	ISSUE: A 2.S.C. 2
PROJECT: ORCA	DESIGNER: BRD
FILE NAME: 162406a	FILE DATE: 7-May-02
NO. SHEETS: 7	

02A	CCO NO.1624-004	AMP CHANGES	TS	16-12-99
REV/ISS	AMENDMENTS		DRAWN	CHKD
A	B	C	D	E



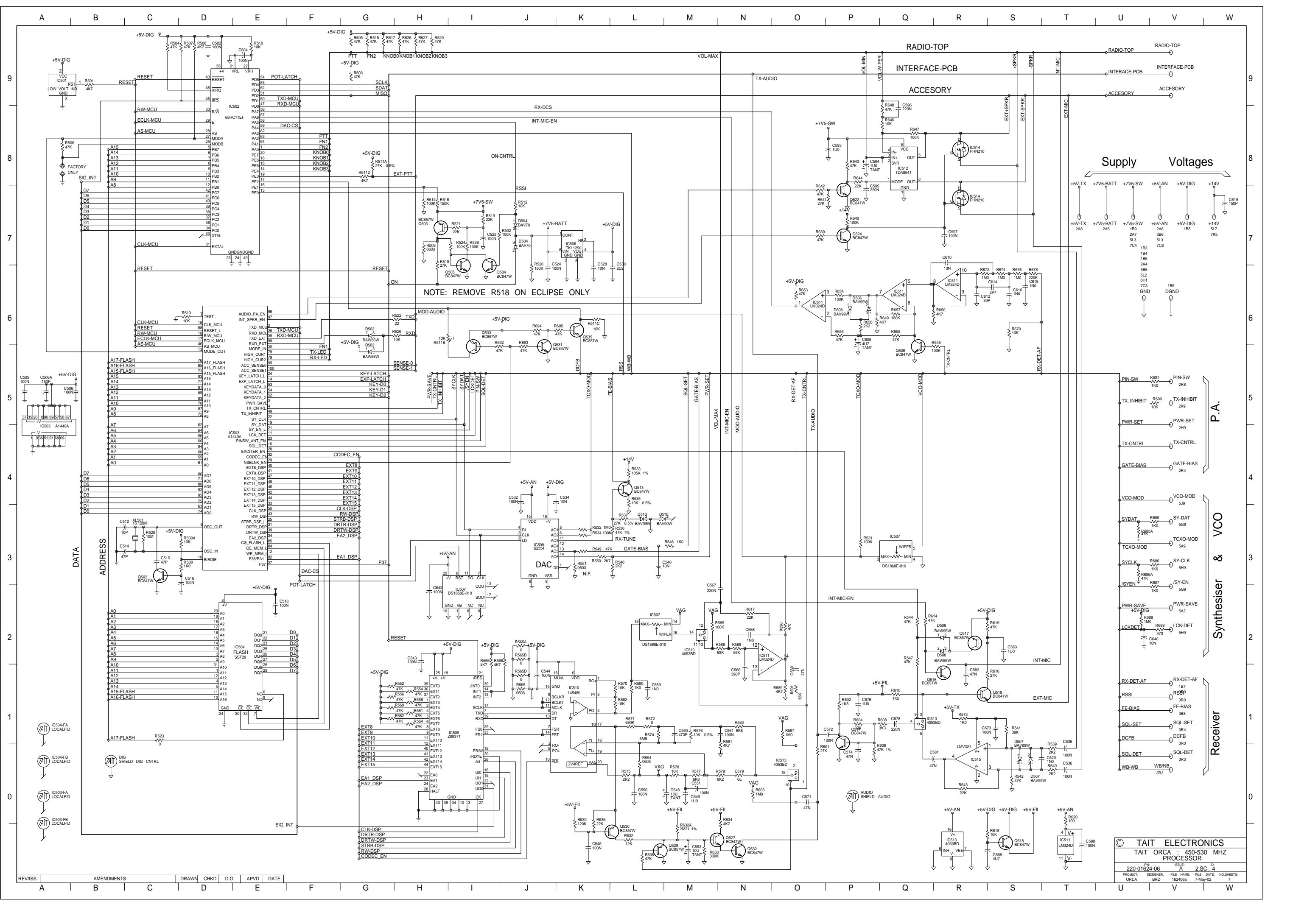
Variant Table

Part	NB	MB	WB
XF303	G		D
XF304	G		D
R355	47k		22k
C369	470P		330P
R390	330k		68k

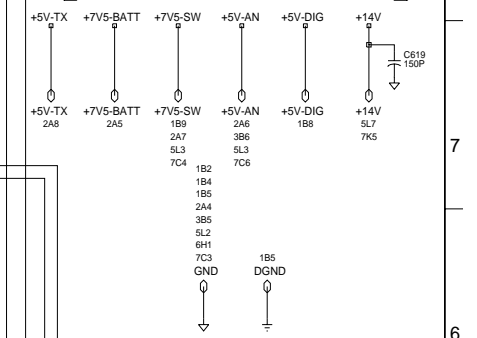
© TAIT ELECTRONICS
 TAIT ORCA : 450-530 MHZ RECEIVER

IPN: 220-01624-06 ISSUE: A 2.SC. 3 ID:
 PROJECT: ORCA DESIGNER: BRD FILE NAME: 162406a FILE DATE: 7-May-02 NO.SHEETS: 7

REV/ISS	AMENDMENTS	DRAWN	CHKD	D.O.	APVD	DATE



Supply Voltages



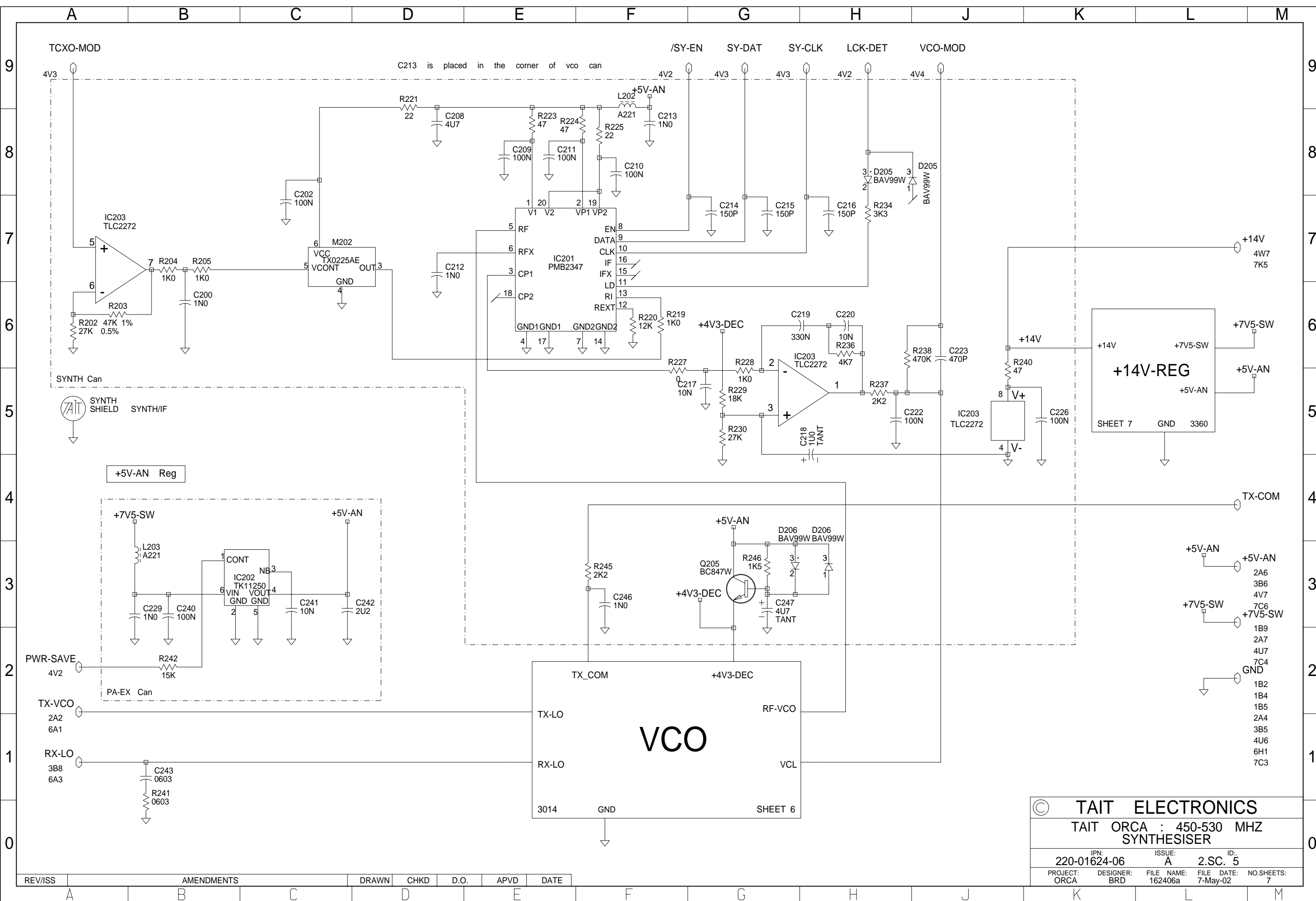
NOTE: REMOVE R518 ON ECLIPSE ONLY

P.A.

Synthesiser & VCO

Receiver

© TAIT ELECTRONICS
 TAIT ORCA - 450-530 MHZ
 PROCESSOR
 PART NO: 220-01624-06
 REV: 2.5C.4
 PROJECT: ORCA
 DESIGNER: FILE NAME: 16C406A
 BRD: 7-MAY-02
 SHEETS: 7

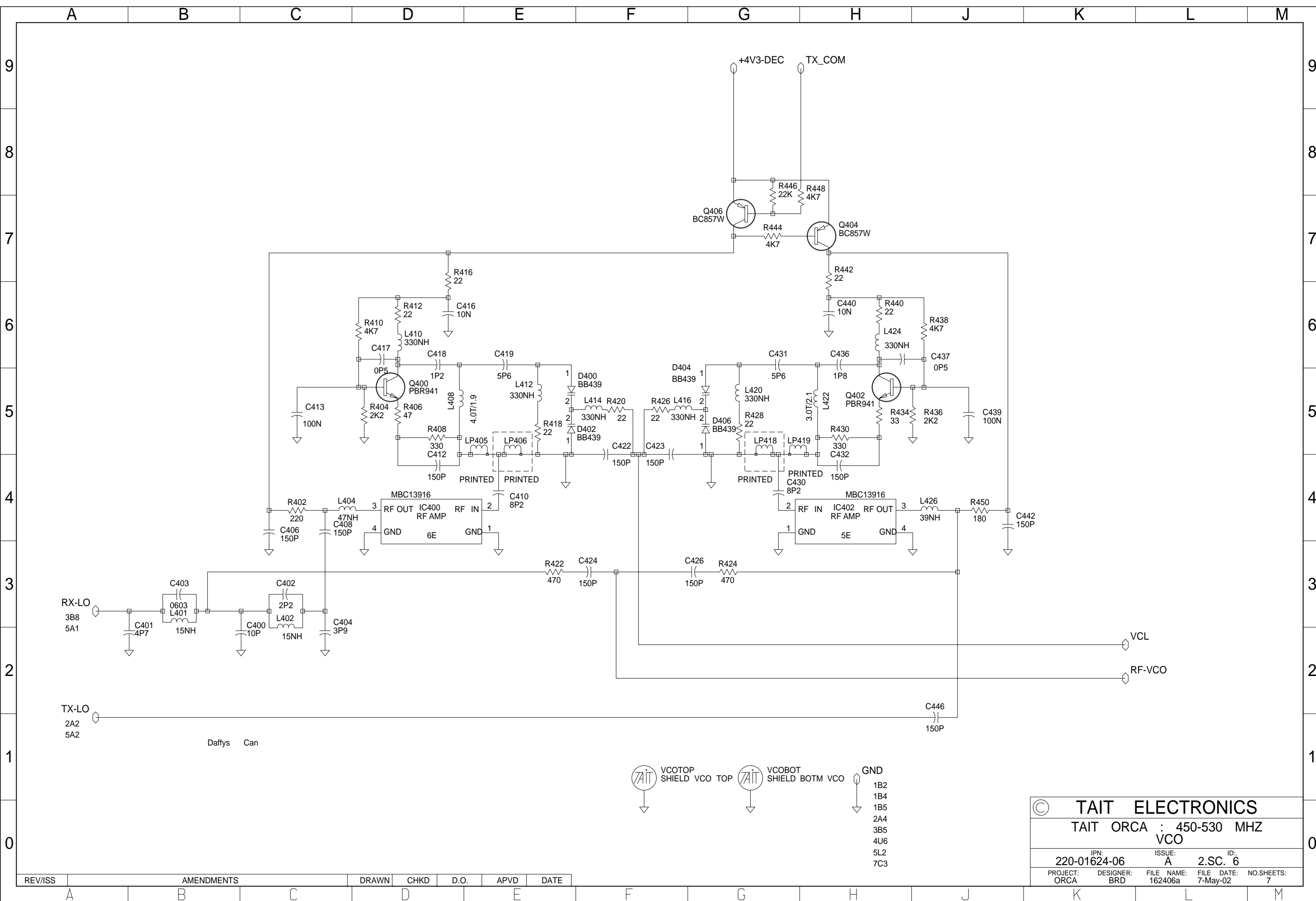


© TAIT ELECTRONICS
 TAIT ORCA : 450-530 MHZ SYNTHESISER

IPN: 220-01624-06	ISSUE: A	ID: 2.S.C. 5
PROJECT: ORCA	DESIGNER: BRD	FILE NAME: 162406a
	FILE DATE: 7-May-02	NO. SHEETS: 7

REV/ISS	AMENDMENTS	DRAWN	CHKD	D.O.	APVD	DATE

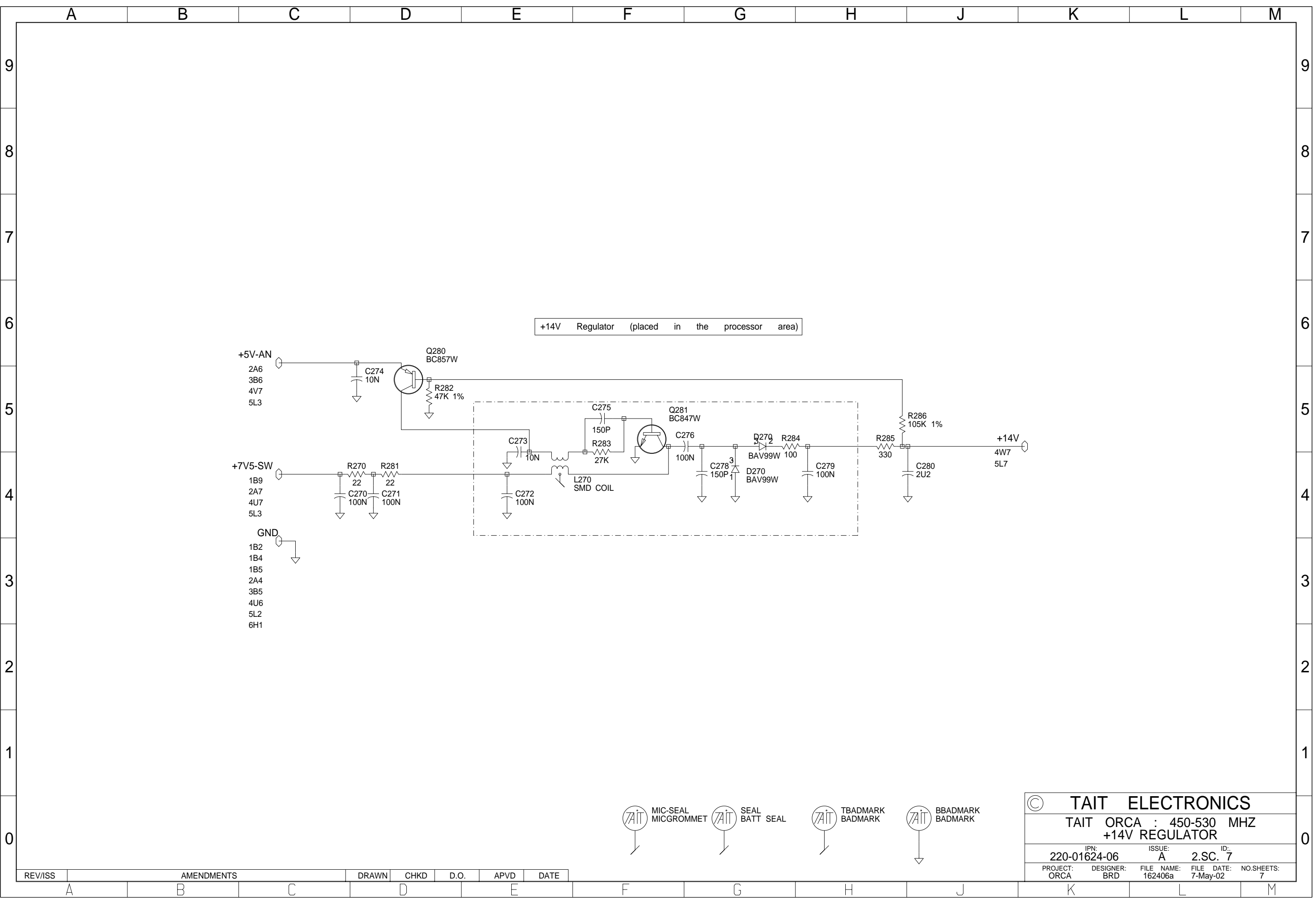
- 2A6
- 3B6
- 4V7
- 7C6
- 7C4
- GND
- 1B2
- 1B4
- 1B5
- 2A4
- 3B5
- 4U6
- 6H1
- 7C3



REV/ISS	AMENDMENTS	DRAWN	CHKD	D.O.	APVD	DATE
A						
B						
C						
D						
E						
F						
G						
H						
J						
K						
L						
M						

© TAIT ELECTRONICS
 TAIT ORCA : 450-530 MHZ
 VCO

IPN: 220-01624-06	ISSUE: A	ID: 2.SC. 6
PROJECT: ORCA	DESIGNER: BRD	FILE NAME: 162406a
	FILE DATE: 7-May-02	NO.SHEETS: 7



+14V Regulator (placed in the processor area)




+5V-AN
2A6
3B6
4V7
5L3

+7V5-SW
1B9
2A7
4U7
5L3

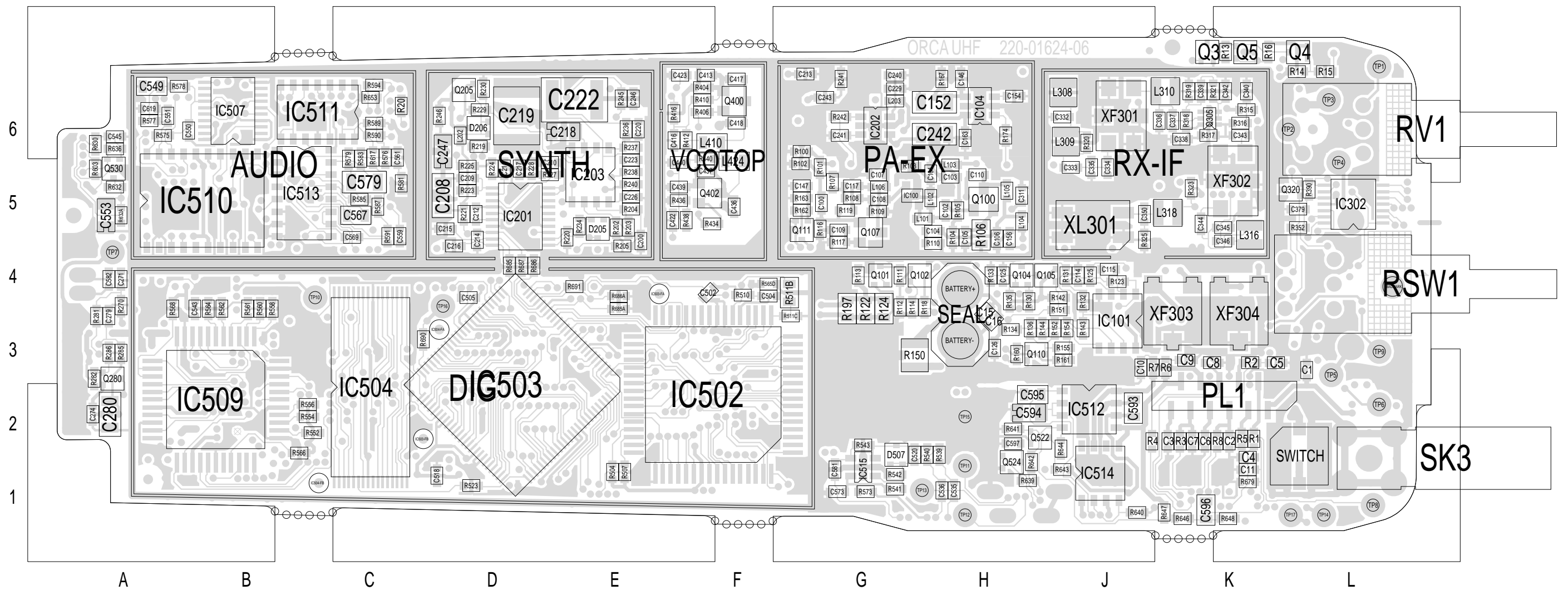
GND
1B2
1B4
1B5
2A4
3B5
4U6
5L2
6H1

© TAIT ELECTRONICS
 TAIT ORCA : 450-530 MHZ
 +14V REGULATOR

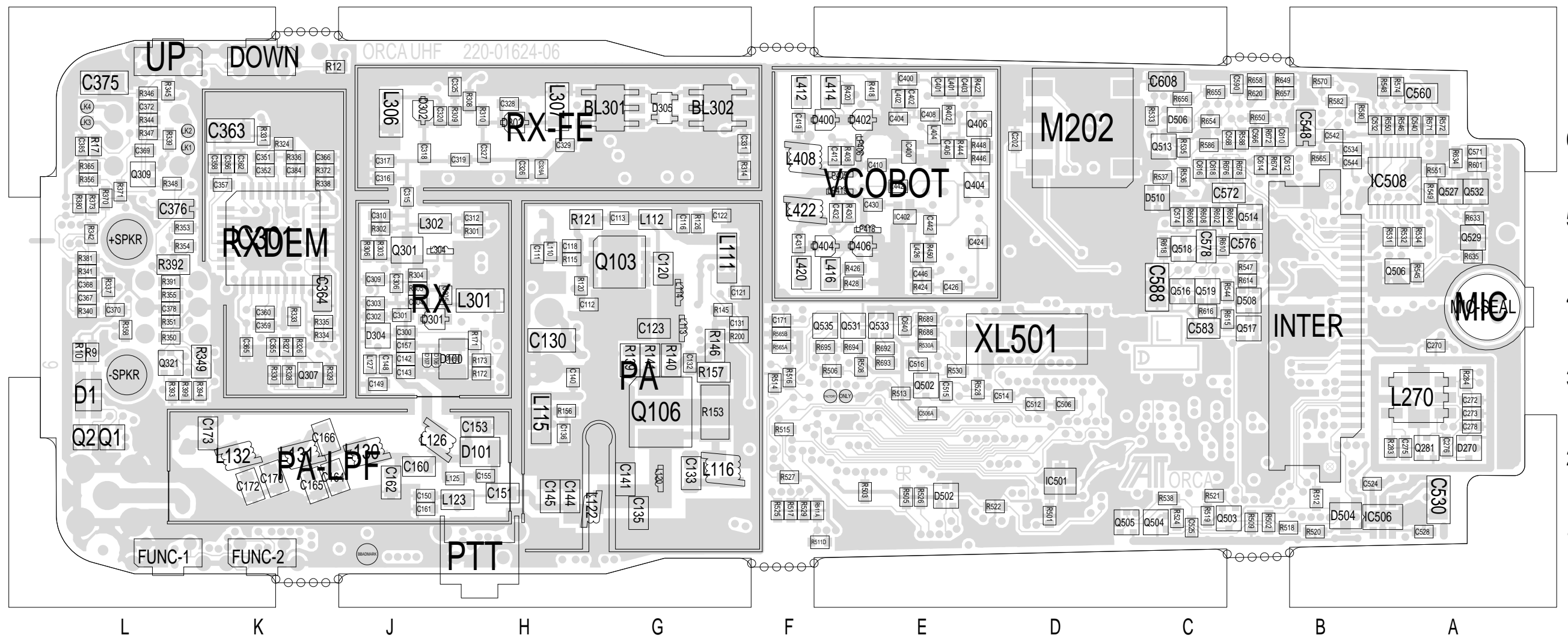
IPN: 220-01624-06	ISSUE: A	ID: 2.SC. 7
PROJECT: ORCA	DESIGNER: BRD	FILE NAME: 162406a
	FILE DATE: 7-May-02	NO.SHEETS: 7

- 
 MIC-SEAL
MICGROMMET
- 
 SEAL
BATT SEAL
- 
 TBADMARK
BADMARK
- 
 BBADMARK
BADMARK

REV/ISS	AMENDMENTS	DRAWN	CHKD	D.O.	APVD	DATE



TAIT ELECTRONICS IPN: 220-01624-06 ISS: A ID: 1.TA DATE: 3 May 2002
 ORCA UHF PCB LAYOUT - TOP SIDE



TAIT ELECTRONICS IPN: 220-01624-06 ISS: A ID: 6.BA DATE: 3 May 2002
 ORCA UHF PCB LAYOUT - BOTTOM SIDE

Scale: 2.3:1 ; Rotation: 0 degrees